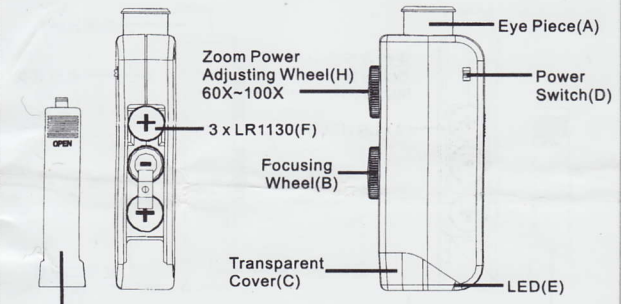


60X~100X
Microscope



TO OPERATE THE MICROSCOPE

- Place the specimen on a flat surface.
- Place the microscope at upright position with transparent cover(C) face down.
- Switch on the LED(E) by the pressing the Power Switch(D)
- Choose a magnification power (60X~100X) by adjust the zoom power adjusting wheel(H).
- Look through the eye piece(A), turn the focusing wheel(B) to obtain the sharpest image.

TO INSTALL THE BATTERIES

- Slide out the battery cover(G) from rear.
- Install 3 x LR 1130(F) with positive polarity(+) at two side and 1 negative polarity (-) in between them.
- Slide back the battery cover(G) firmly and the microscope is ready to use.

Note: Replacement of LED is not recommended